



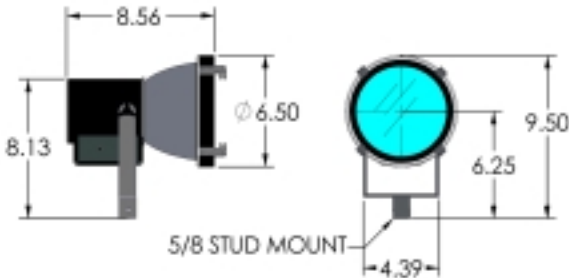
Frezzi HMI Super-Sun Gun 200

LIGHTER & BRIGHTER...
The NEW Frezzi Super-Sun Gun (SSG-200) is designed to become the new standard in ENG/EFP lighting.

Frezzi's 200 Watt HMI, engineered for news gathering, produces a wide flat optical field providing a light output unmatched in its size/weight category. At a distance of 10 feet the Frezzi-Super Sun Gun 200 produces up to 2 times the output of a 400W par HMI fixture with a wide angle lens. This incredible output is the direct result of Frezzi's computer optimized 5" open face parabolic reflector.

This new 200W fixture is constructed with a strong aluminum housing, is lightweight and compact, weighing in at only 3½ pounds. The new dimmable Frezzi AC and DC 200W electronic ballasts are the smallest available in today's market.

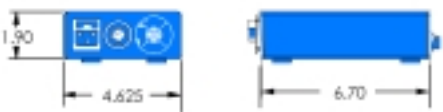
The Frezzi 200 Watt HMI is a portable light designed as a time saver for ENG/EFP photographers who will be able to quickly deploy the best available light at a news or media event with AC or DC power.



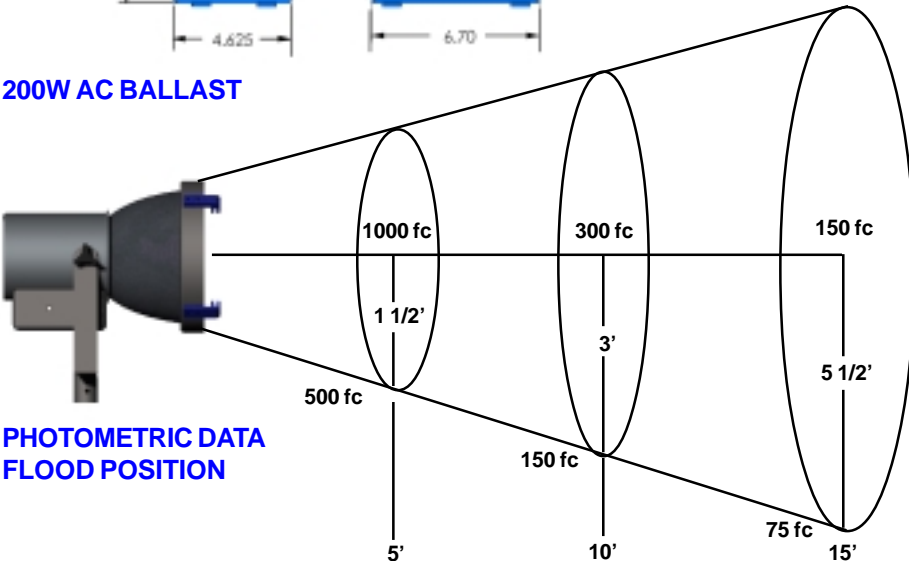
LAMP SPECIFICATIONS

- 200W HMI Open Face with Parabolic Reflector
- 5600K Color Temperature
- Smooth Focus Control - Spot to Flood
- Borosilicate Tempered Safety Glass
- 5/8" Stand Mount
- 12' Head Cable
- Weight: 3 1/2 Pounds
- Bulb: 200W MSR/HMI Single Ended Hot Restrike

200W HMI SUPER-SUN GUN (SSG-200)



200W AC BALLAST



**PHOTOMETRIC DATA
 FLOOD POSITION**

LIGHTWEIGHT MINI-BALLASTS

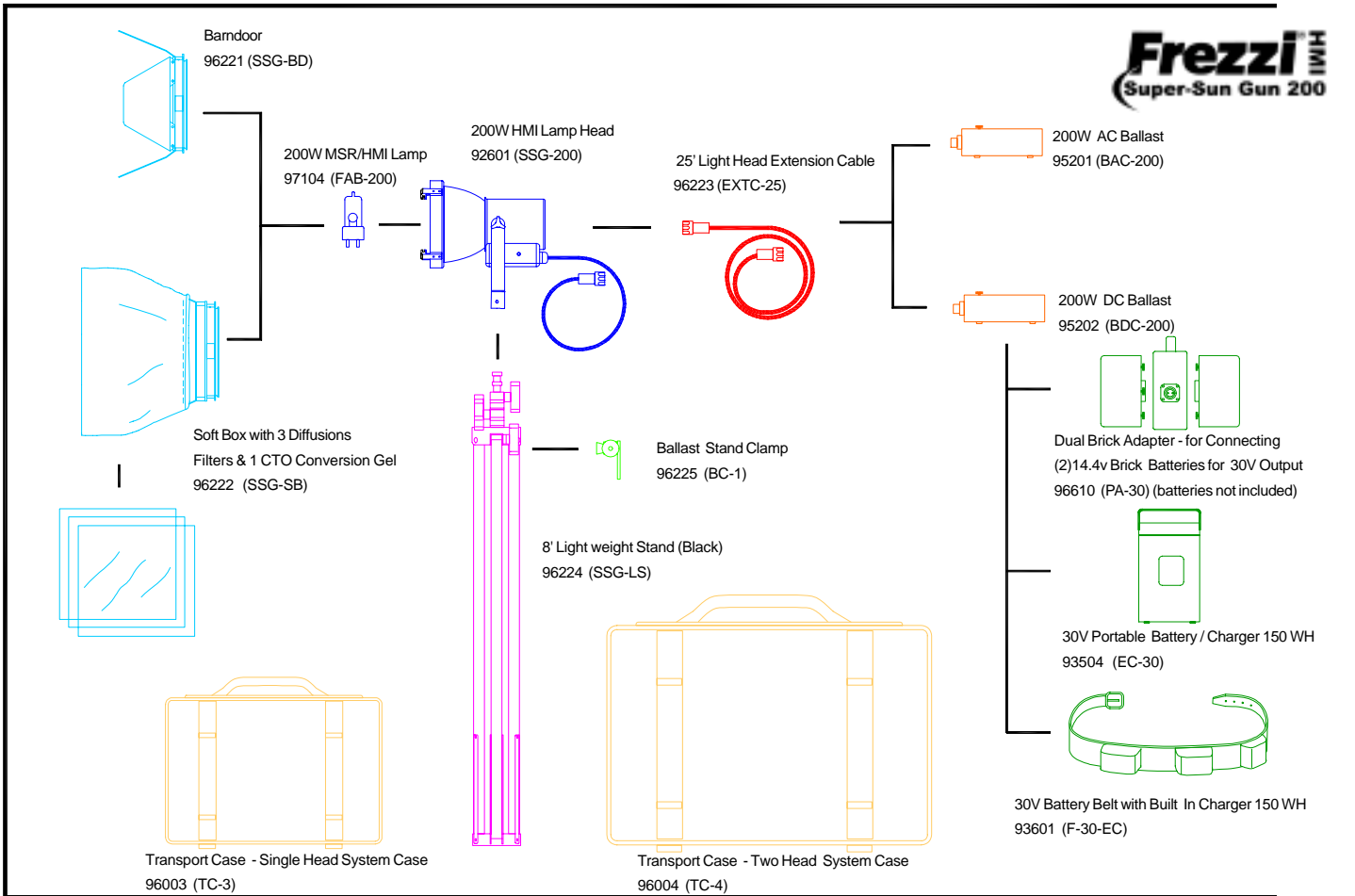
- 110/220 VAC Ballast 2.0 lbs.
- 28 - 32 VDC Ballast 2.0 lbs.

KEY BENEFITS

- Highest Output to Size & Weight Ratio
- Brighter than 400W Pars in Flood Mode
- Dimmer Controlled Ballasts
- Hot Restrike
- Daylight Color Temperature 5600K
- Most Economical in the Industry
- No Lenses to Lose or Break
- AC or DC Operation
- Ruggedized Design
- Rapid Setup and Breakdown

Frezzi
 ENERGY SYSTEMS
 5 Valley Street
 Hawthorne • NJ • 07506 • USA
 Phone: (973) 427-1160 Fax: (973) 427-0934
<http://www.frezzi.com>

Contact Frezzi for more information or specialized HMI configurations (800) 345-1030



Single Head Super Sun Gun 200 Kit SSGK1-200 KIT

Qty	Item No.	Model	Description
1	92601	SSG-200	Super Sun Gun 200 Lamp Head
1	96221	SSG-BD	4 leaf Barndoor
1	97104	FAB-200	200W MSR/HMI Lamp
1	95201	BAC-200	200W 120/240 AC Ballast (for 30V DC Ballast please specify Item No. 95202 BDC-200)
1	96222	SSG-SB	Soft Box with 3 Diffusion Filters & 1 CTO Conversion Gel
1	96003	TC-3	Transport Case - Single Head System

Two Head Super Sun Gun 200 Kit SSGK2-200 KIT

Qty	Item No.	Model	Description
2	92601	SSG-200	Super Sun Gun Lamp Head
2	96221	SSG-BD	4 Leaf Barndoor
2	97104	FAB-200	200W MSR/HMI Lamp
2	95201	BAC-200	200W 120/240 AC Ballast (for 30V DC Ballast please specify Item No. 95202 BDC-200)
2	96222	SSG-SB	Soft Box with 3 Diffusion Filters & 1 CTO Conversion Gel
1	96004	TC-4	Transport Case - Two Head System

Optional Accessories

•	Item No.	Model	Description
•	96224	SSG-LS	8' Light Weight Stand (Black)
•	96223	EXTC-200	25' Light Head Extension Cable
•	97104	FAB-200	200W MSR/HMI Lamp
•	95201	BAC-200	AC Ballast 120/240v
•	95202	BDC-200	30V DC Ballast
•	92601	SSG-200	Lamp Head
•	96221	SSG-BD	Barndoor
•	96222	SSG-SB	Soft Box with 3 Diffusions Filters & 1 CTO Conversion Gel
•	93504	EC-30	30V Portable Battery / Charger, 150 WH
•	93601	F-30-EC	30V Battery Belt with Built in Charger, 150 WH
•	96610	PA-30-B	Dual Brick Adapter - for Connecting (2) 14.4v Brick Batteries for 30V Output
•	96003	TC-3	Transport Case - Single Head System
•	96004	TC-4	Transport Case - Two Head System
•	96225	BC-1	Ballast Stand Clamp - For Mounting Ballast to the Stand