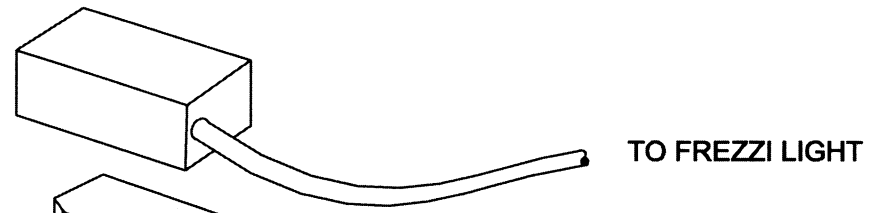
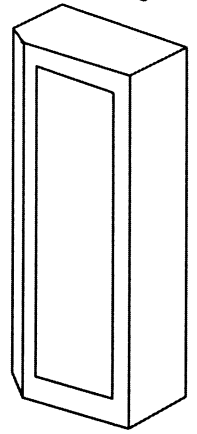


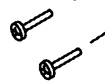
5. SLIDE NP-1 CUP  
OVER BATTERY  
TO POWER LIGHT



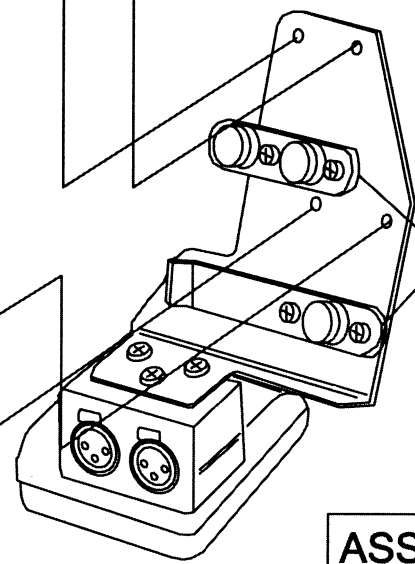
4. SLIDE BATTERY INTO  
BRACKET, LABEL  
FACING OUTWARD



2. INSTALL TWO (2)  
M3X12 SCREWS P/N 2263  
(SMALLER SIZE)

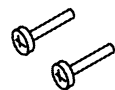


1. REMOVE TWO (2)  
SMALL BRACKETS  
(4 SCREWS TOTAL)  
ALIGN FREZZI NP1 CB  
WITH CANON MA-100



USE "VELCRO" TO  
FASTEN WIRELESS  
MIC RECEIVER HERE  
(VELCRO NOT INCLUDED)

3. INSTALL TWO (2)  
M4X12 SCREWS P/N 2264  
(LARGER SIZE)



FREZZI  
NP1 CB

CANON  
MA-100

**ASSEMBLY INSTRUCTIONS**  
Model: MFK-XL1 (91017)  
Model: MFKIC-XL1 (91027)

E-MAIL: SUPPORT@FREZZI.COM  
PHONE: (973) 427-1160

REV. A